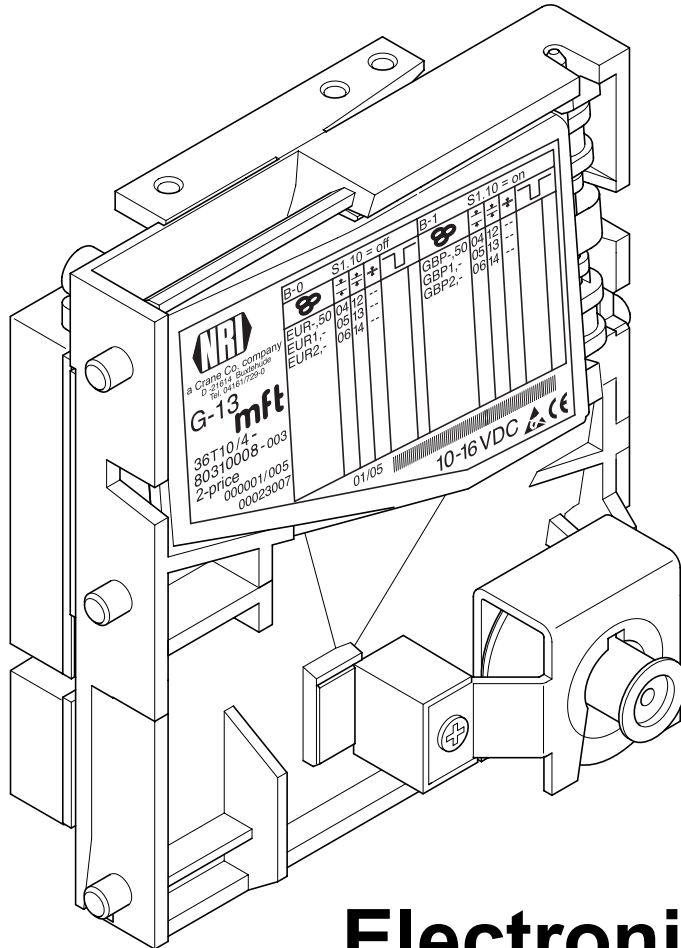




A Crane Co. Company



Electronic coin validator G-13.mft

Mounting dimensions

03.06 Hns/WP/ds
Edition 2.0
EM.G13MFTM-GB



National Rejectors, Inc. GmbH • Zum Fruchthof 6 • D-21614 Buxtehude
Phone: +49 (0)4161-729-0 • Fax: +49 (0)4161-729-115 • E-mail: info@nri.de • Internet: www.nri.de

Table of contents

Mounting dimensions	4
Top entry model	4
View from front	4
View from rear	4
View from above	5
View from below	5
View from the side	6
Front entry model without front plate	7
View from front	7
View from rear	7
View from above	8
View from below	8
View from the side	9
Front entry model with MIDI front plate	10
View from front and rear	10
View from right	11
Front entry model with MINI front plate	12
View from front and rear	12
View from right	13
Top entry model with 3-fold sorting device	14
View from front	14
View from rear	14
View from above	15
View from below	15
View from the side	16
Front entry model with 3-fold sorting device	17
View from front	17
View from above	17
View from the side	18

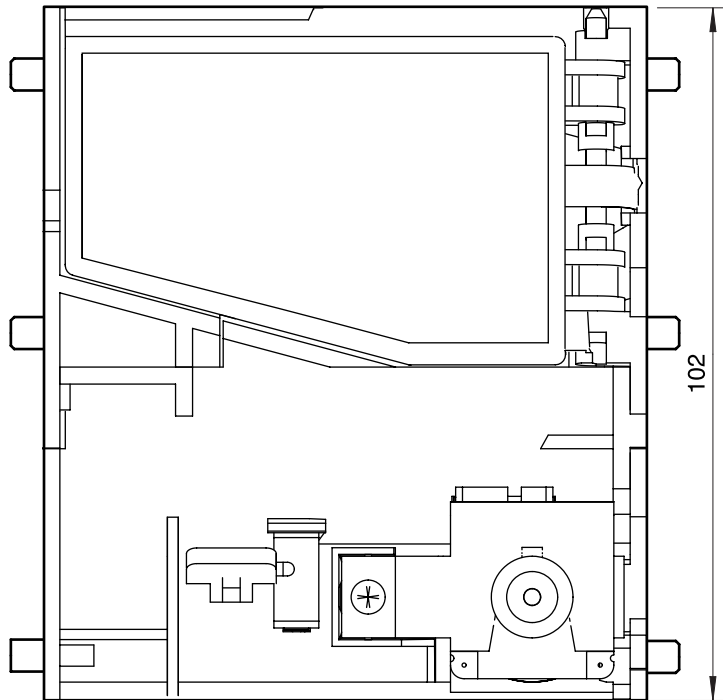


*Are you interested in a 3D solid model in Step format?
No problem: Download at www.nri24.com →Download →Protected
download*

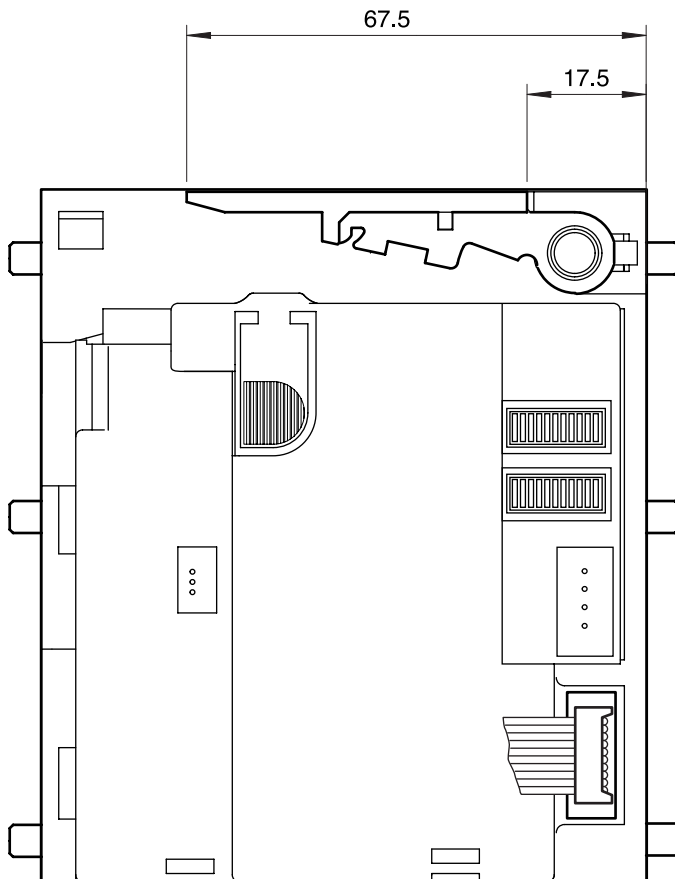
Mounting dimensions

Top entry model

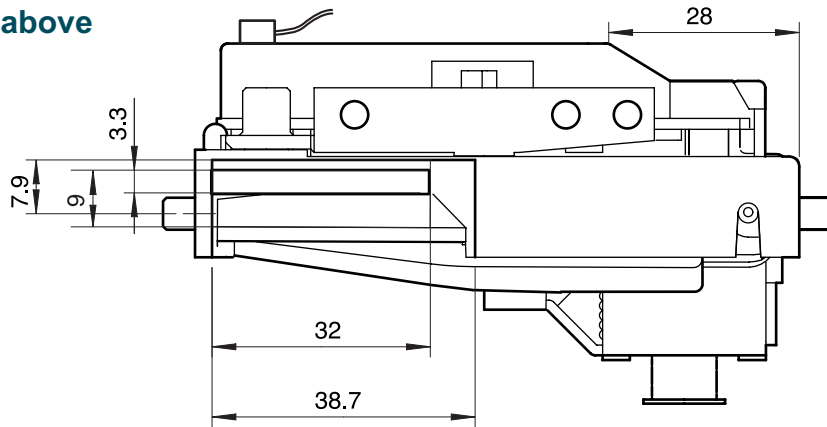
View from front



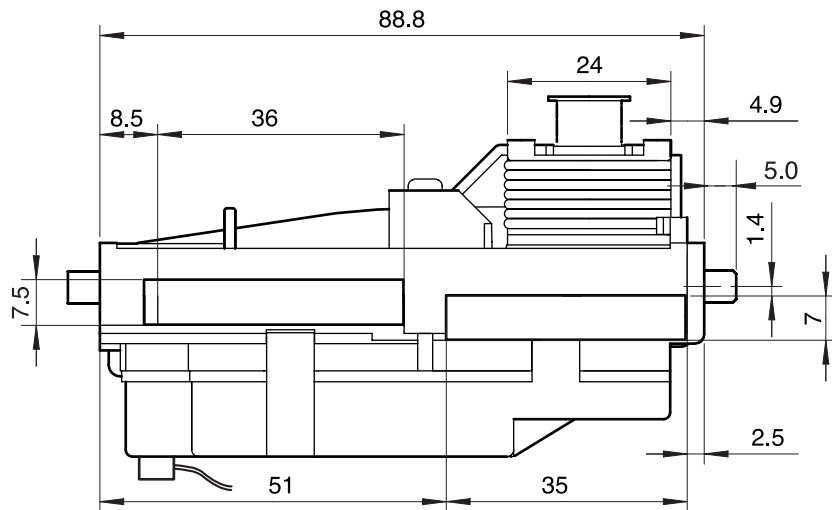
View from rear



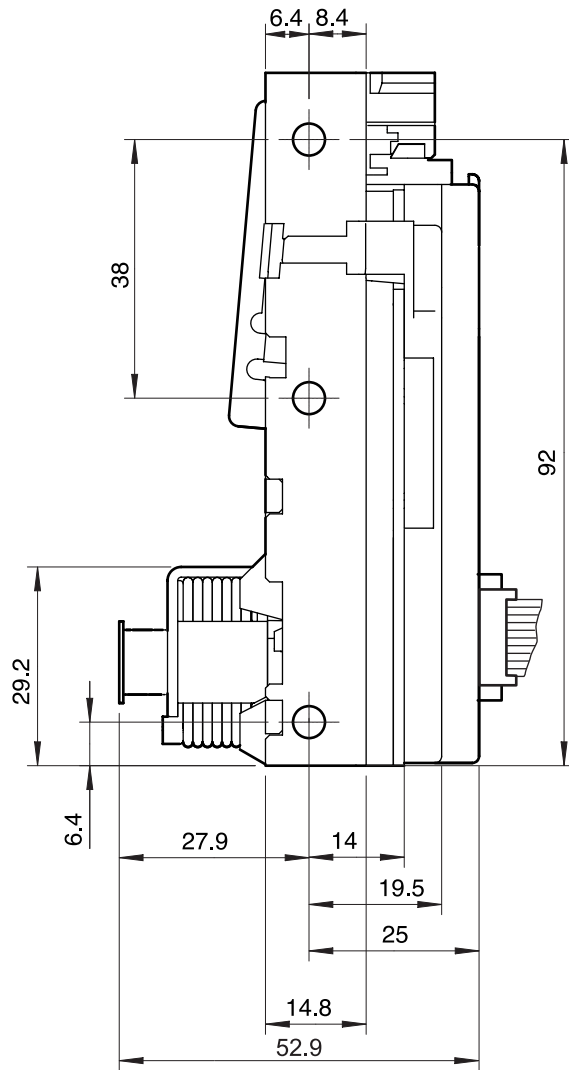
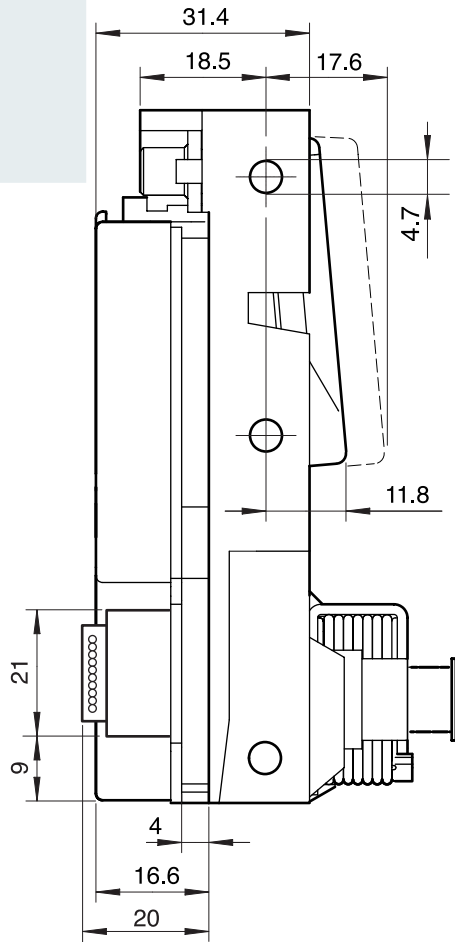
View from above



View from below

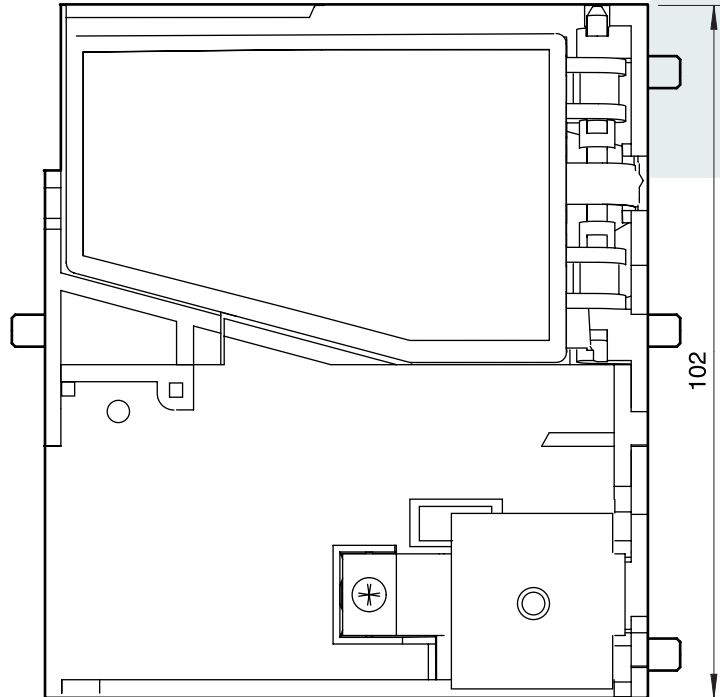


View from the side

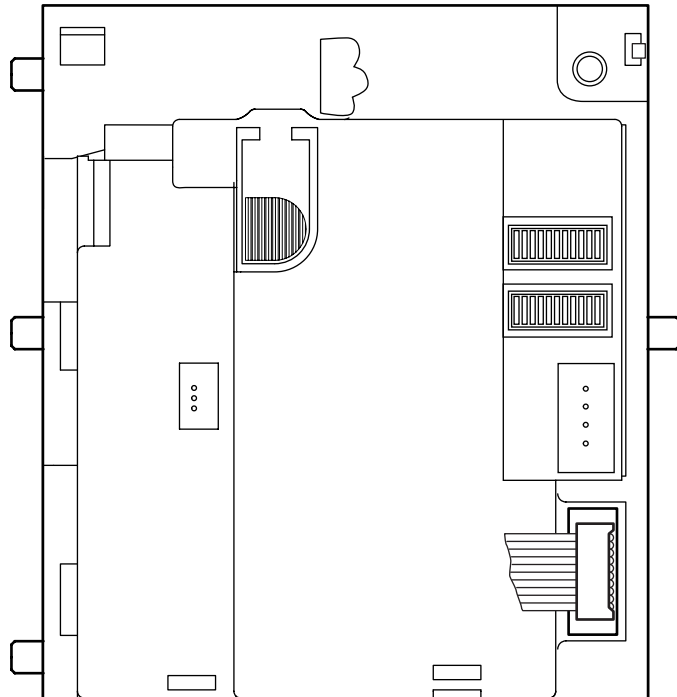


Front entry model without front plate

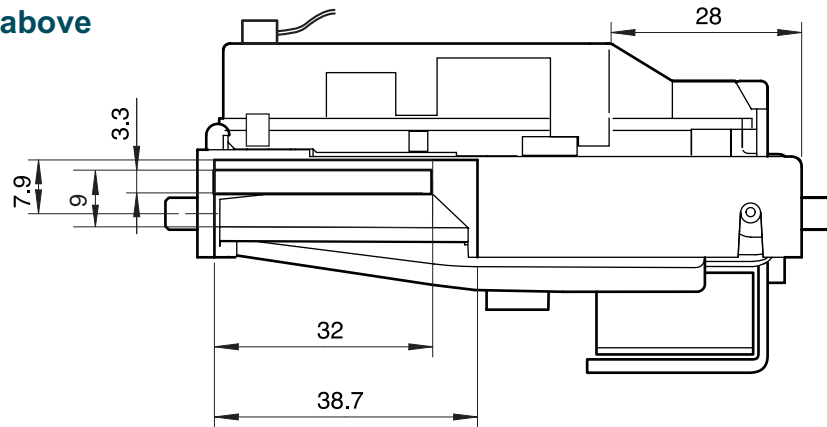
View from front



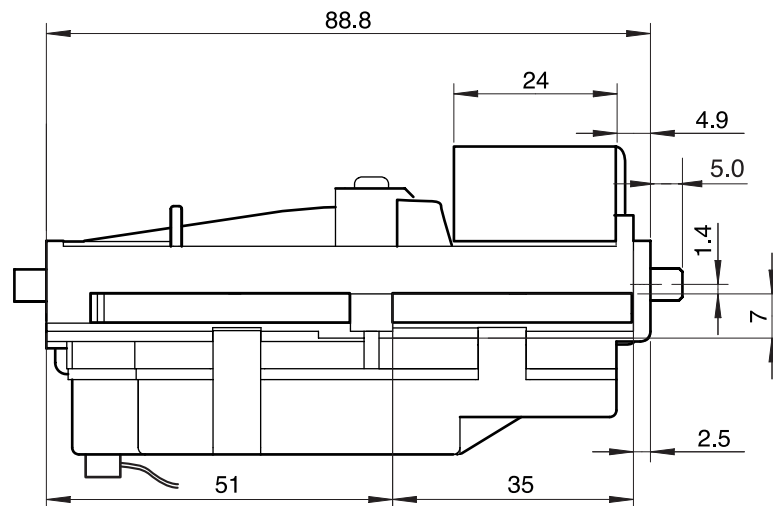
View from rear



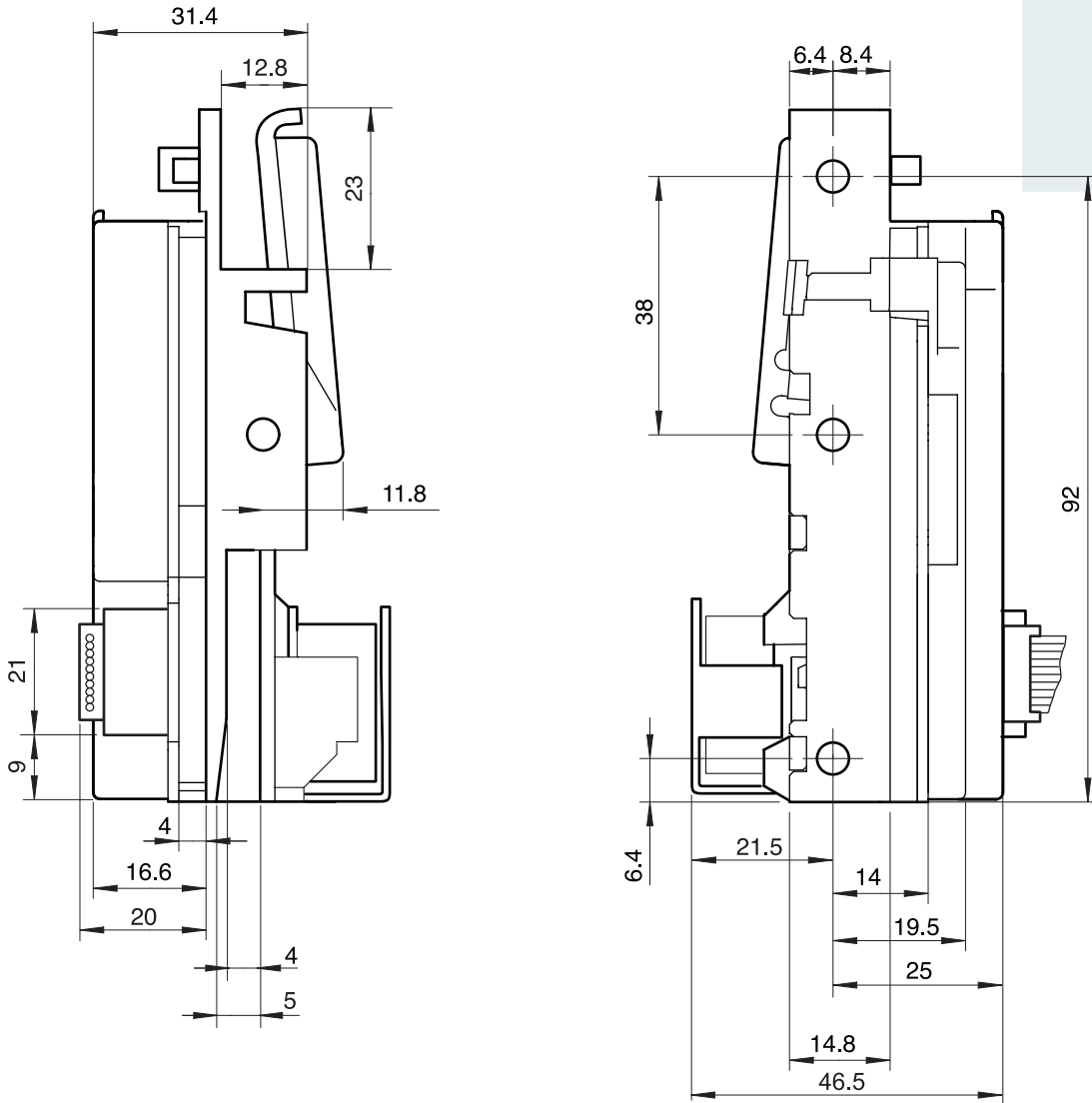
View from above



View from below

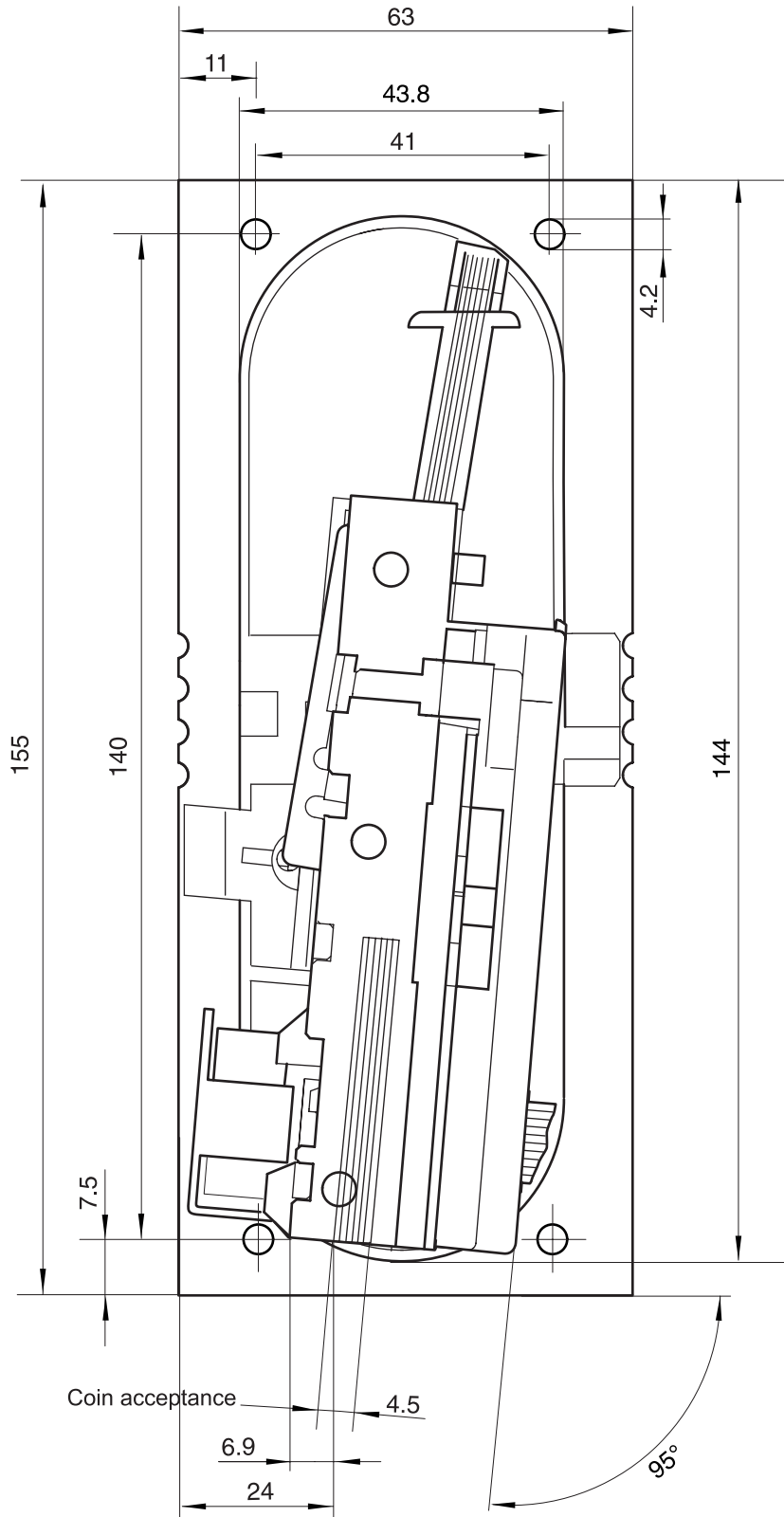
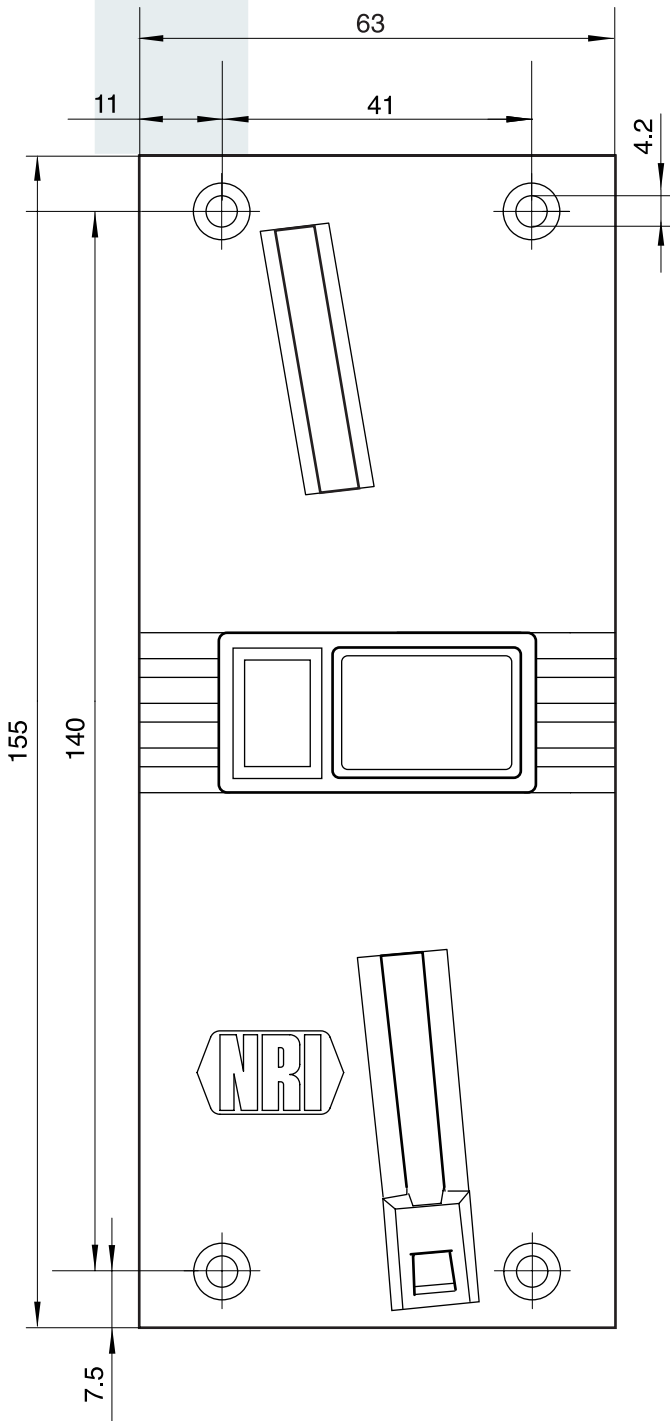


View from the side

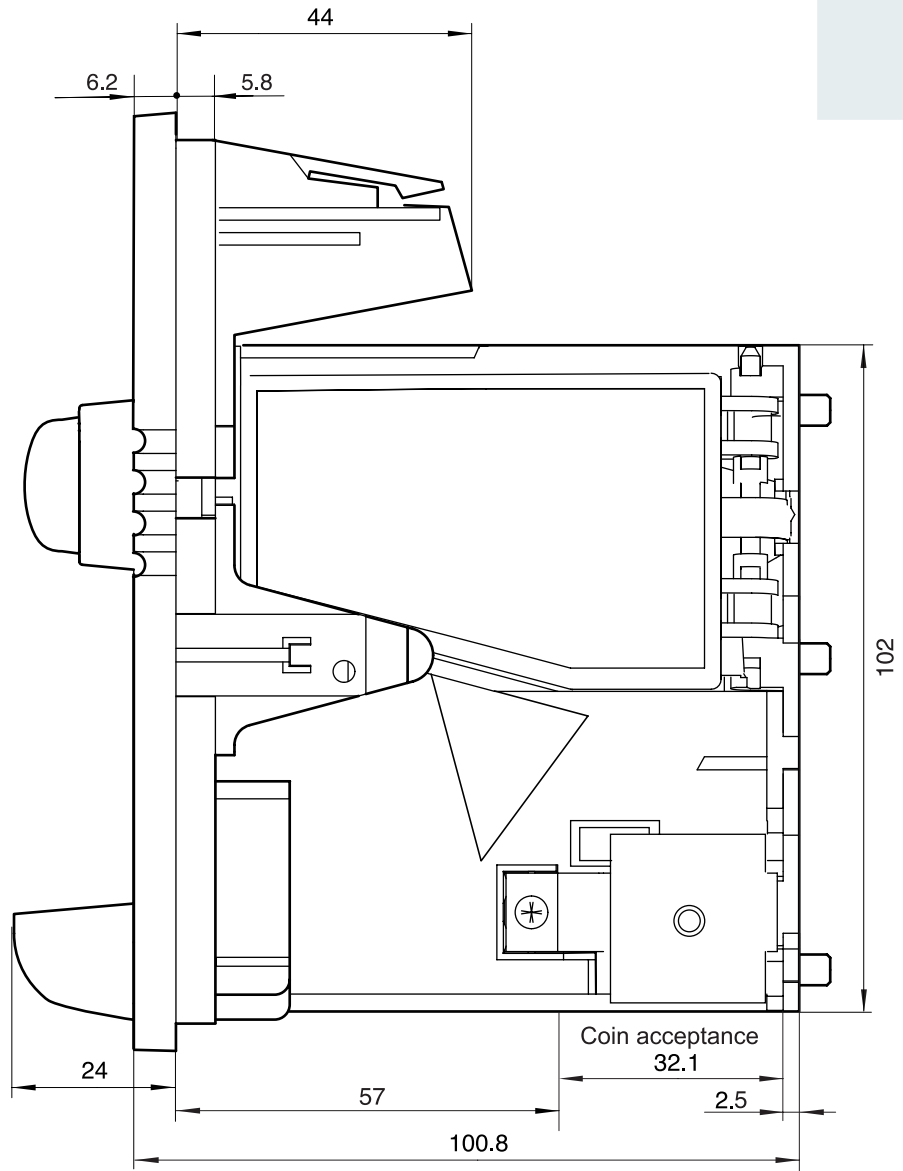


Front entry model with MIDI front plate

View from front and rear

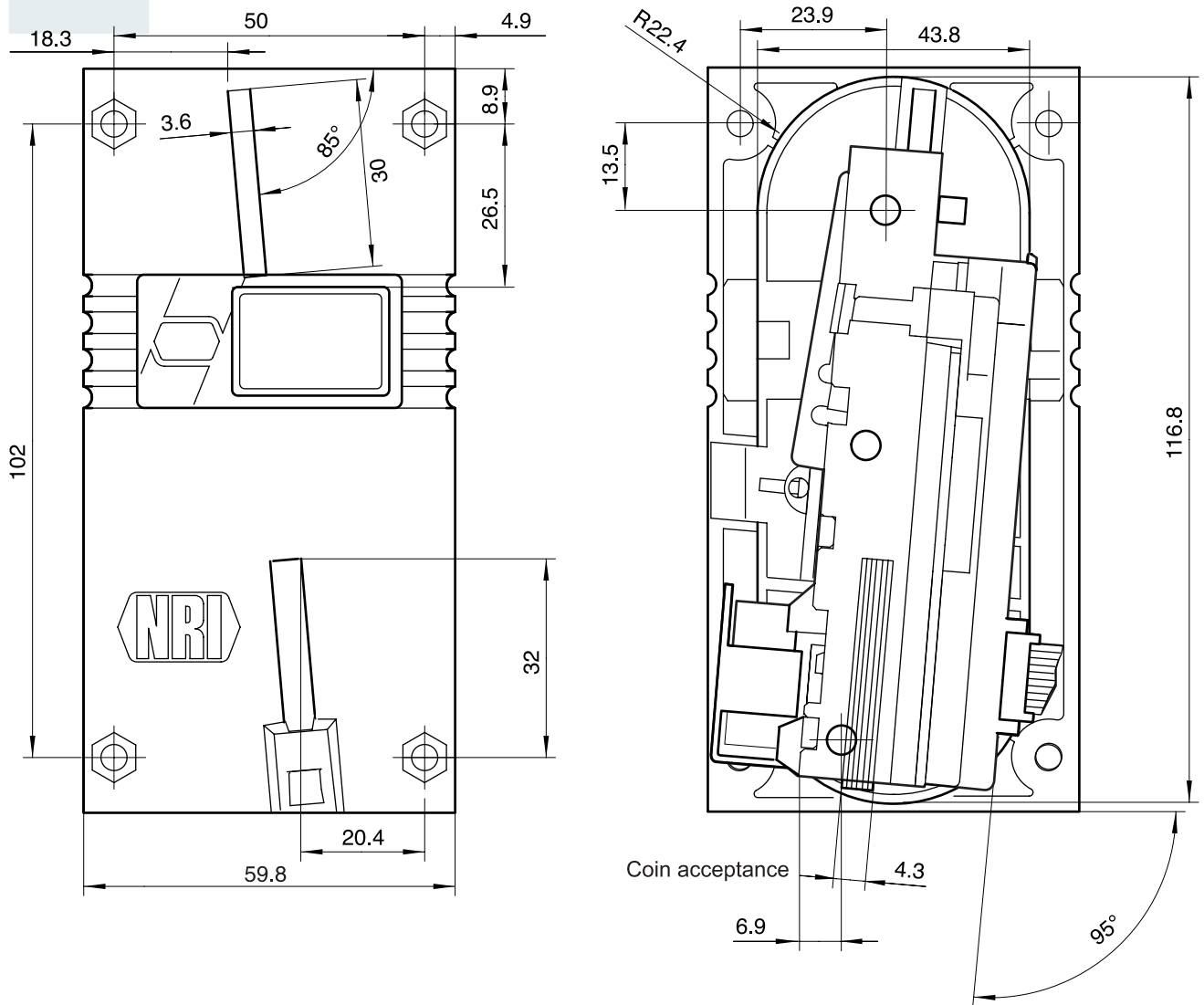


View from right

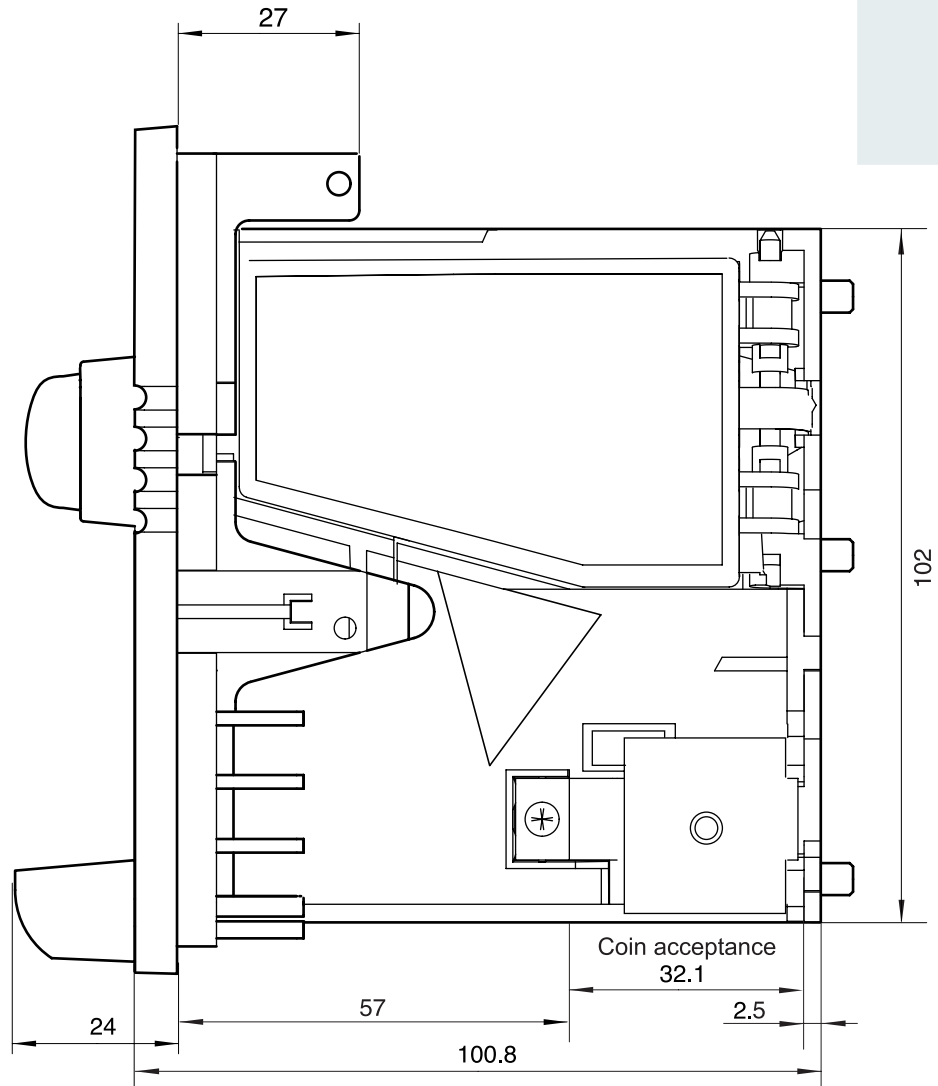


Front entry model with MINI front plate

View from front and rear

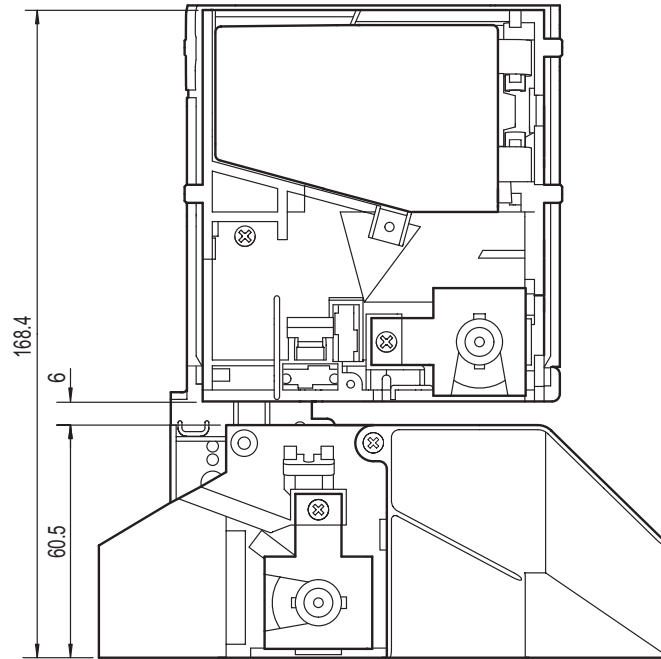


View from right

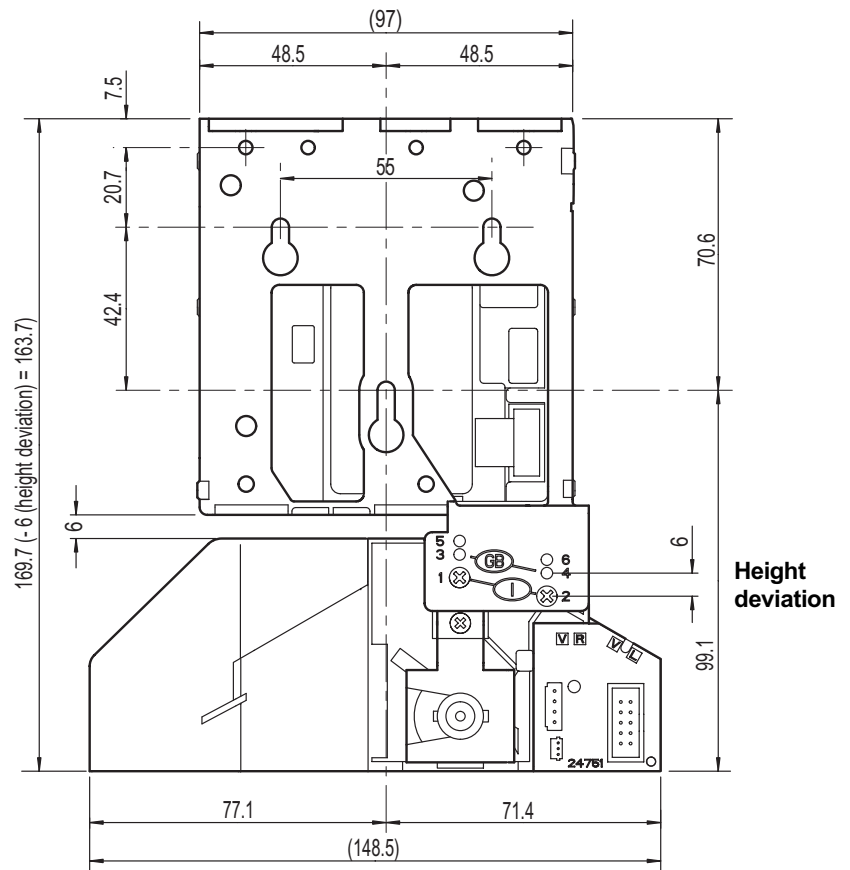


Top entry model with 3-fold sorting device

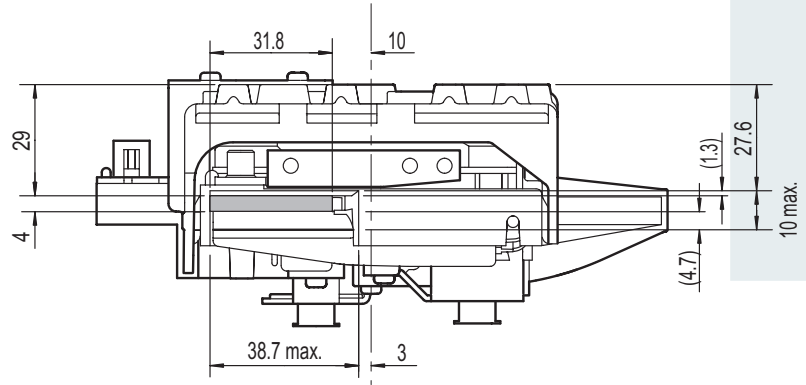
View from front



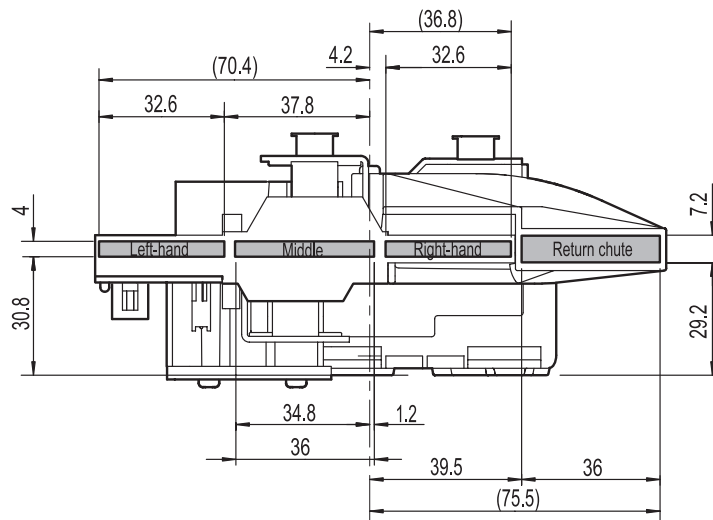
View from rear



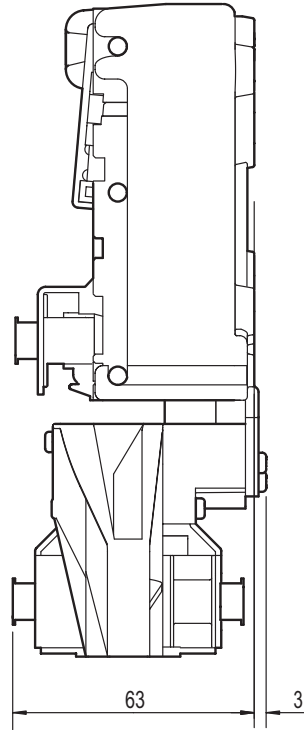
View from above



View from below

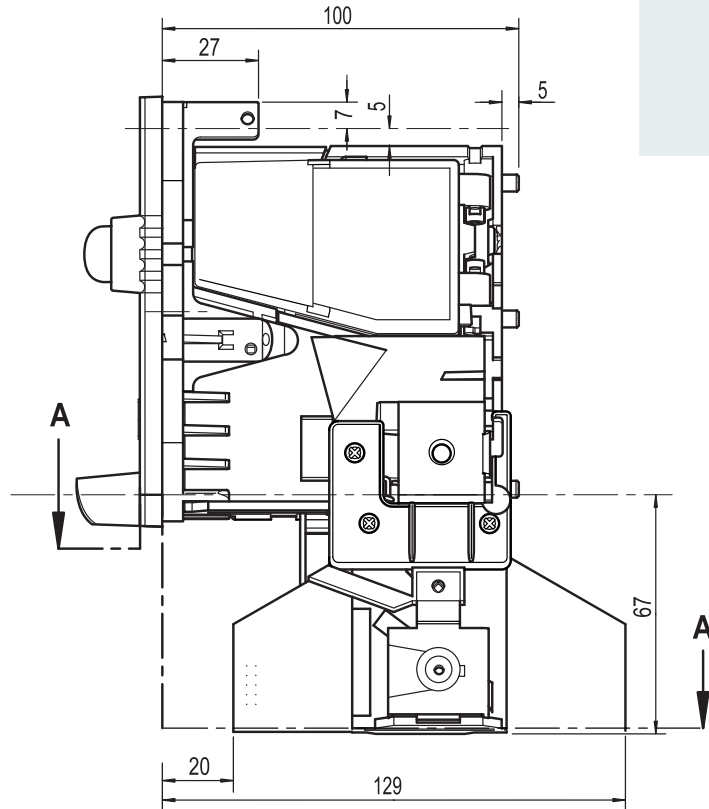


View from the side



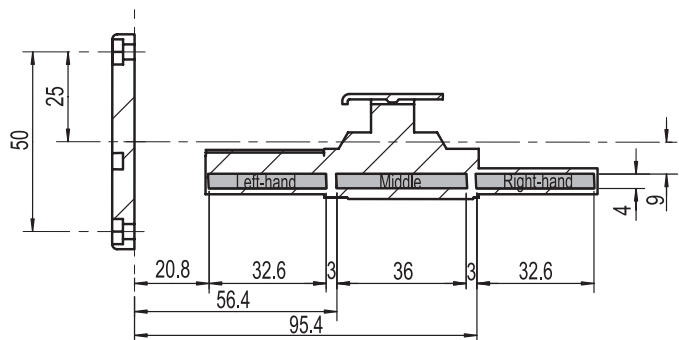
Front entry model with 3-fold sorting device

View from front



View from above

Section A-A



View from the side

